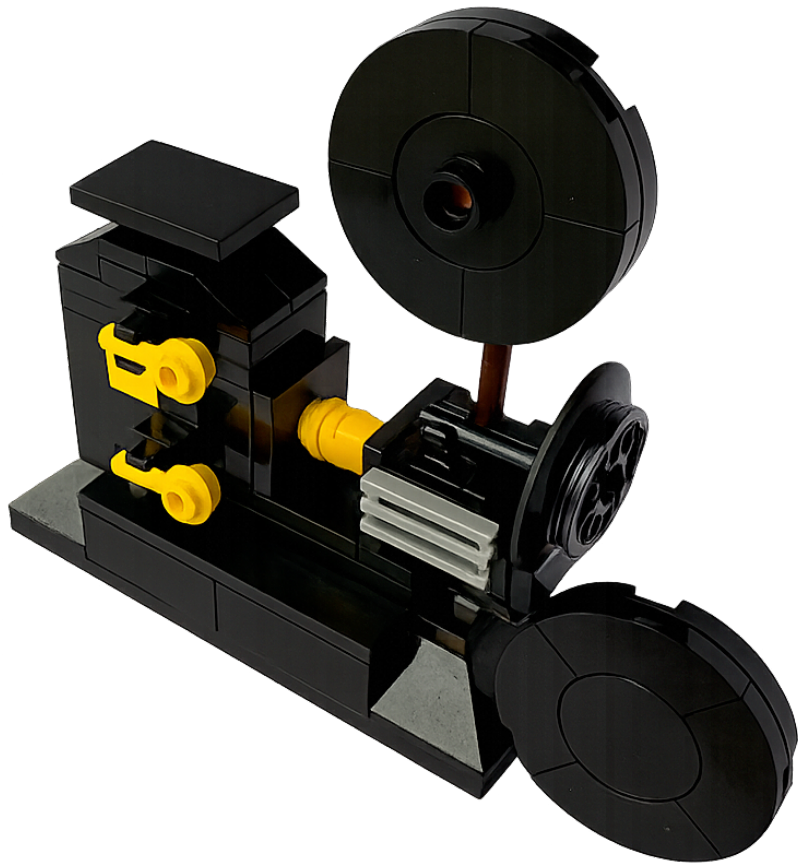




THE CINEMA MUSEUM

www.cinemamuseum.org.uk

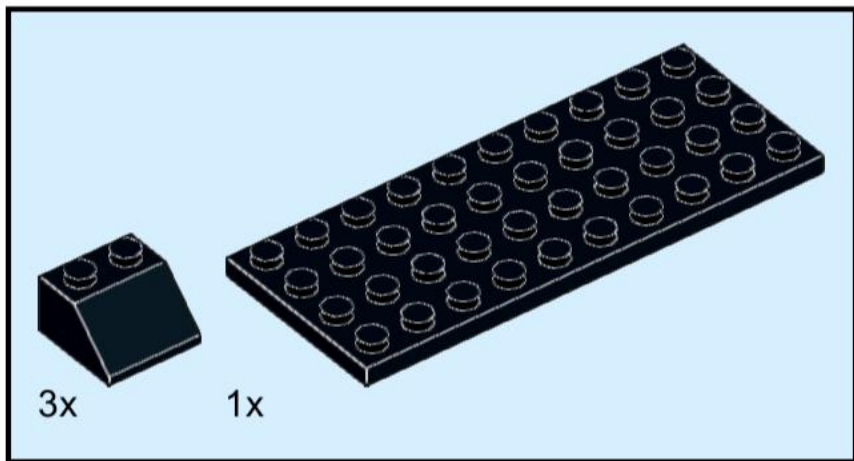
Gaumont Chrono Brick Set



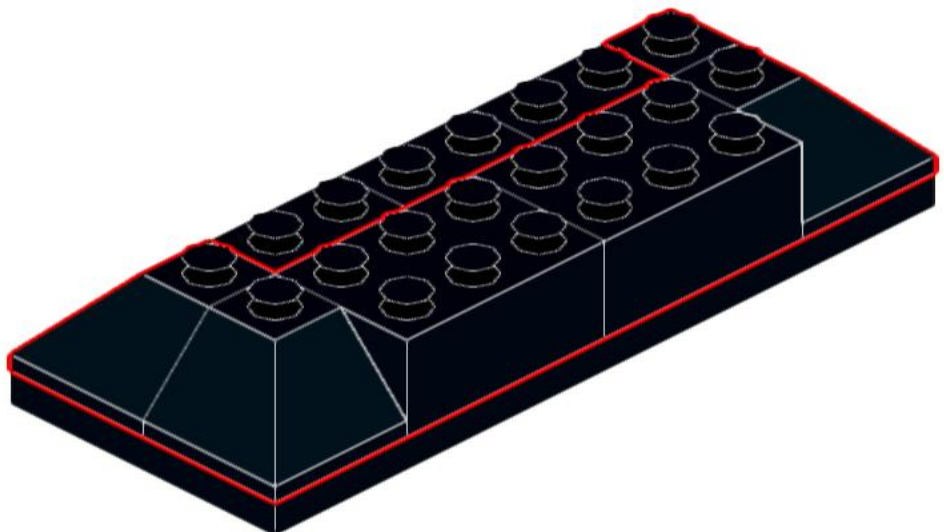
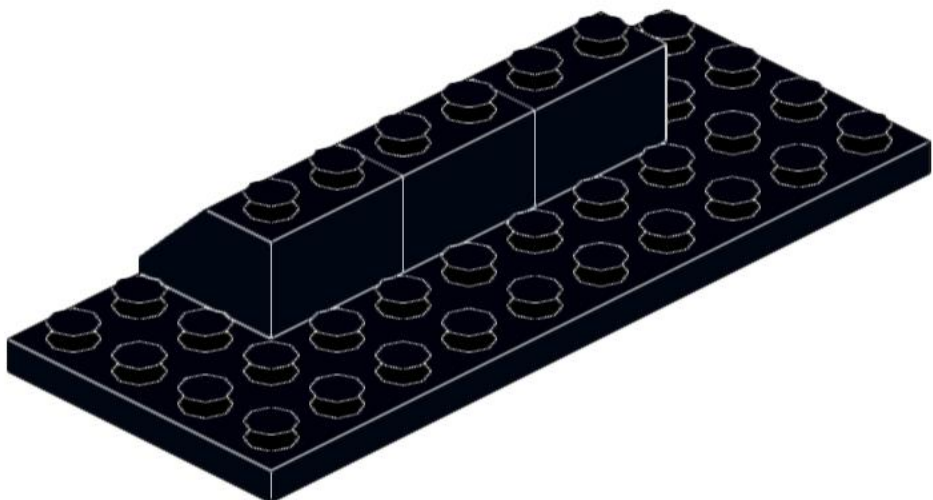
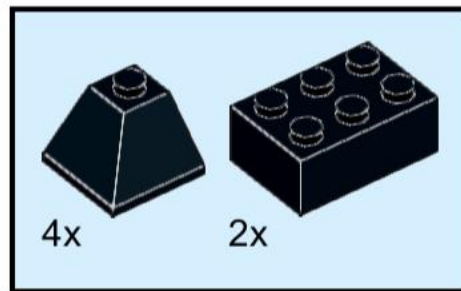
In 1912, the Gaumont Chrono projector brought the wonder of moving pictures to life. Engineered with remarkable precision, the Chrono was a milestone in early cinema technology—renowned for its smooth motion, reliable film transport, and elegant brass-and-steel construction. This brick model celebrates that innovation, capturing the essence of its twin reel arms, hand-cranked mechanism, and robust mechanical heart. Compact yet intricate, it evokes the spirit of an age when projection was as much craftsmanship as it was spectacle — a tribute to the machines that first turned light and motion into magic.

Share your build: #CinemaMuseumBuilds

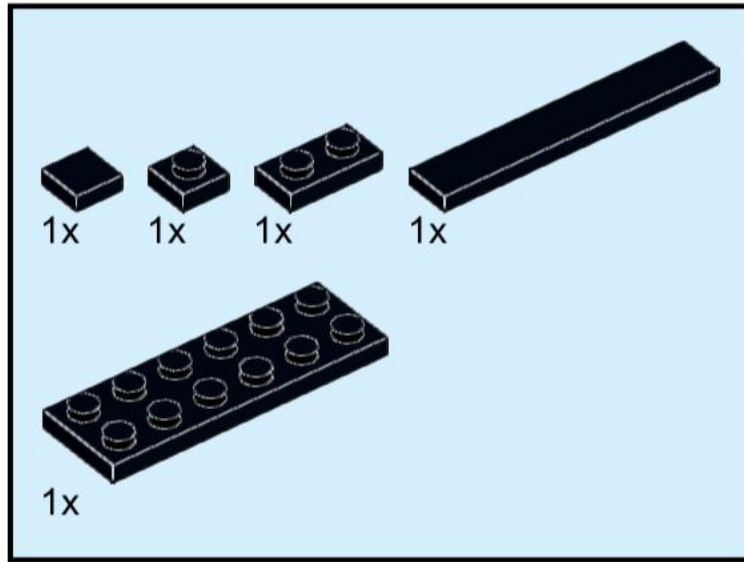
1



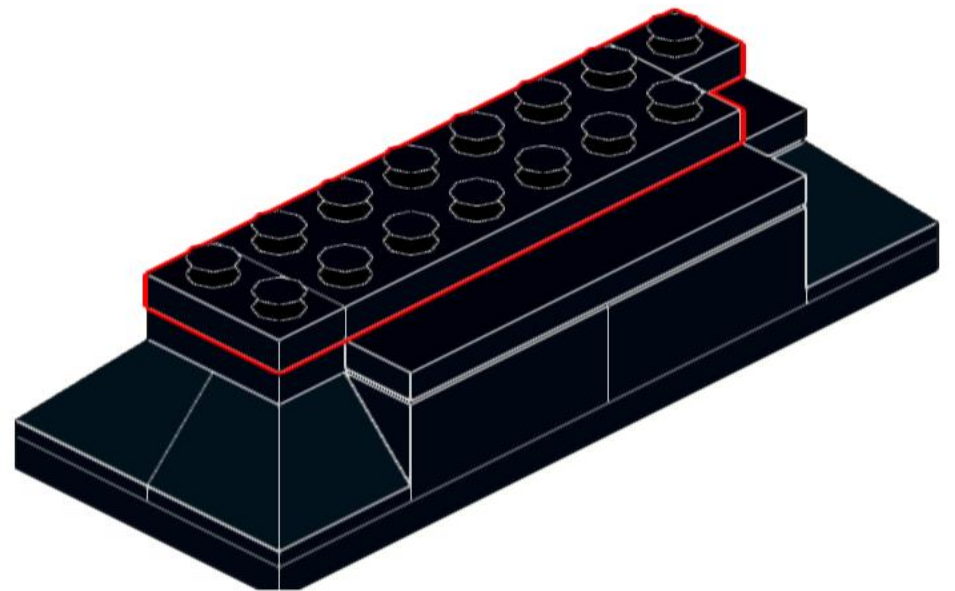
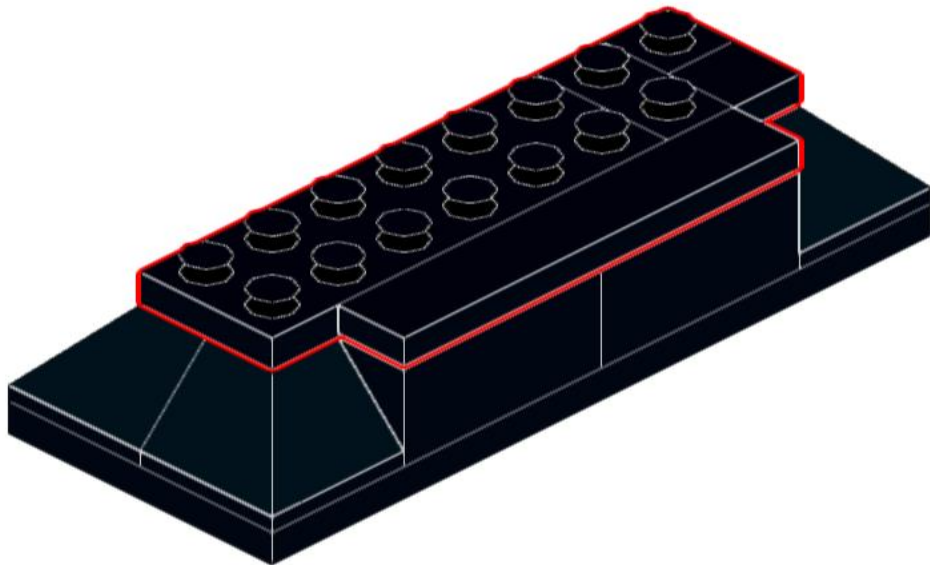
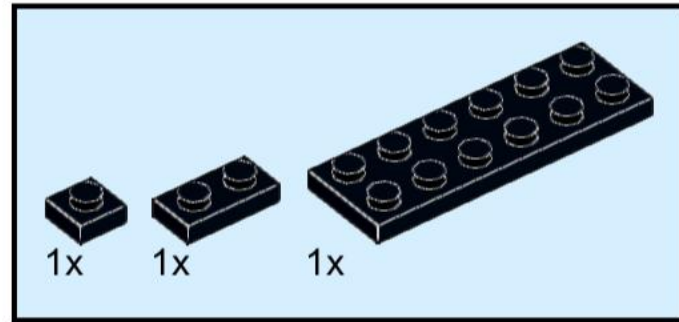
2



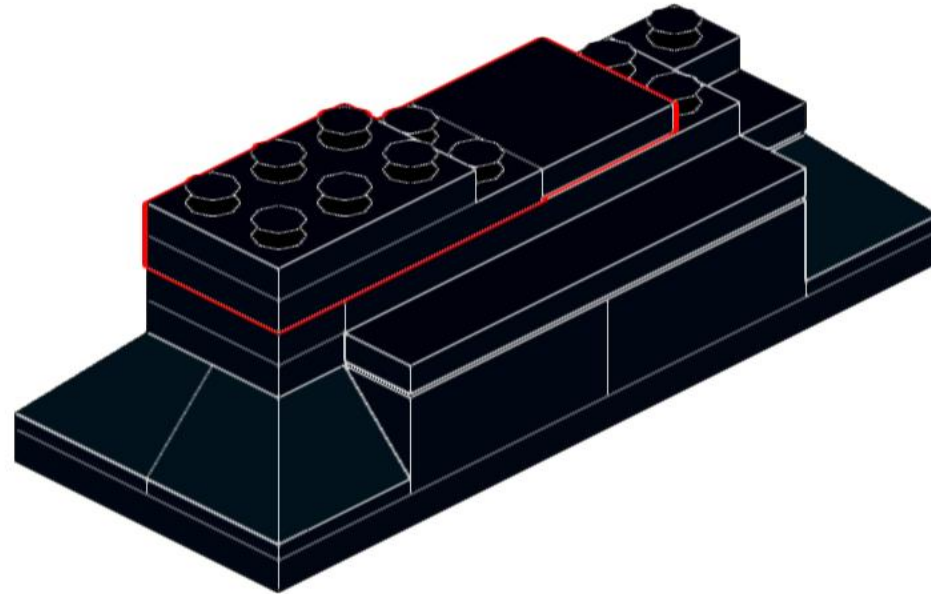
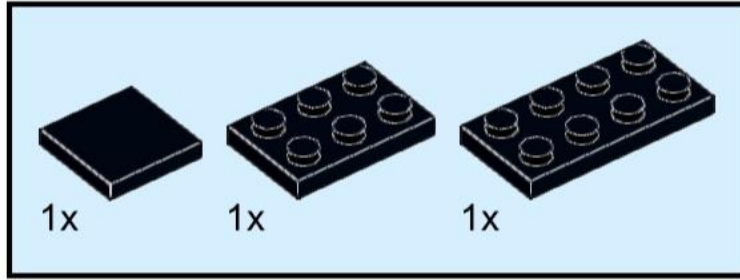
3



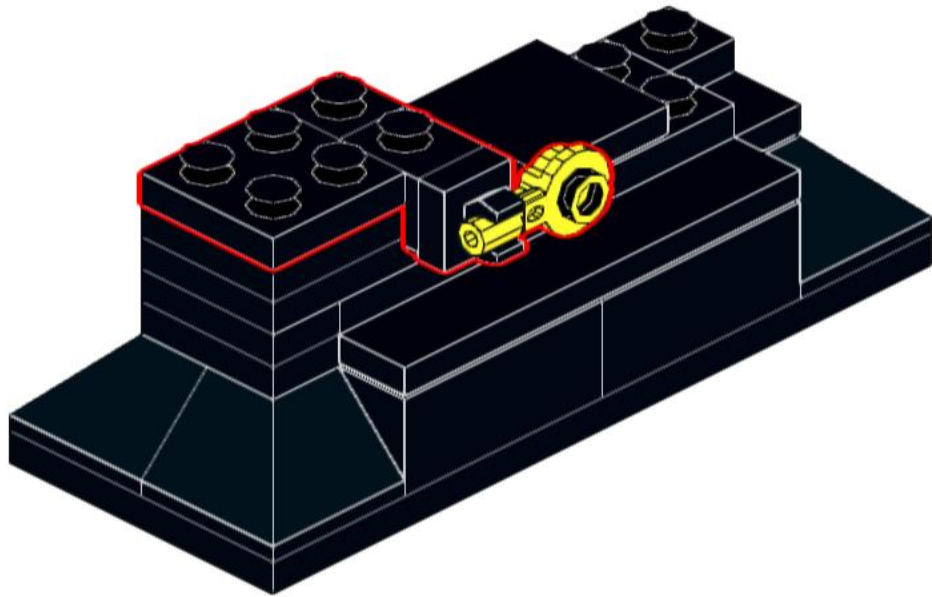
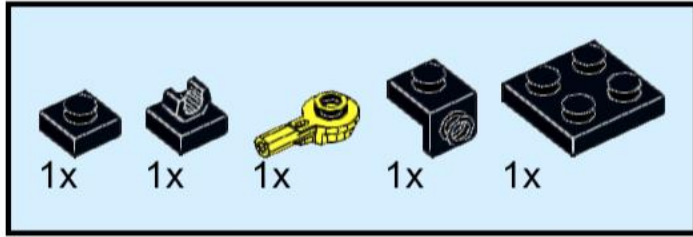
4



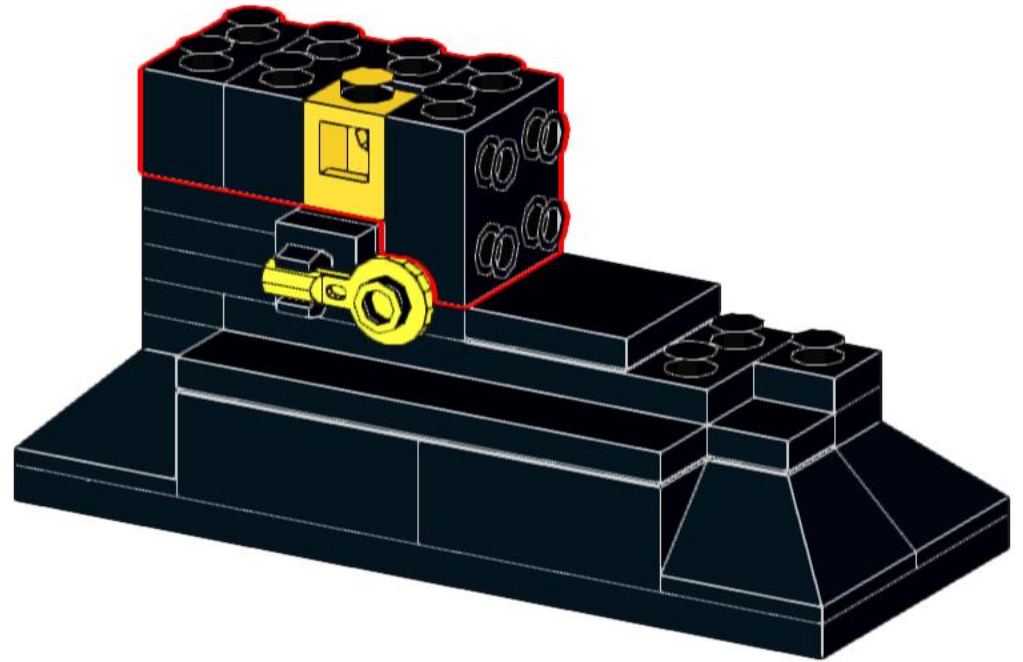
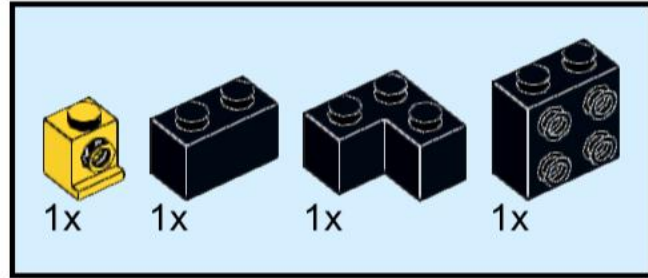
5



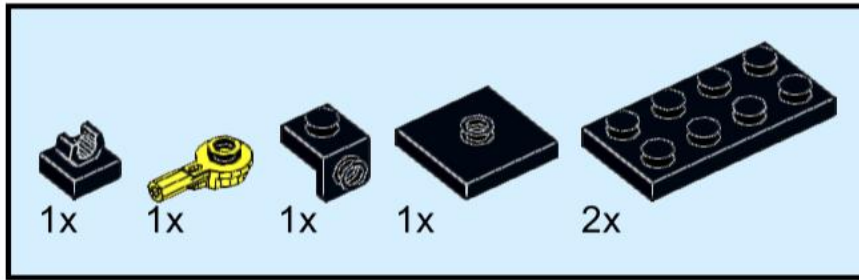
6



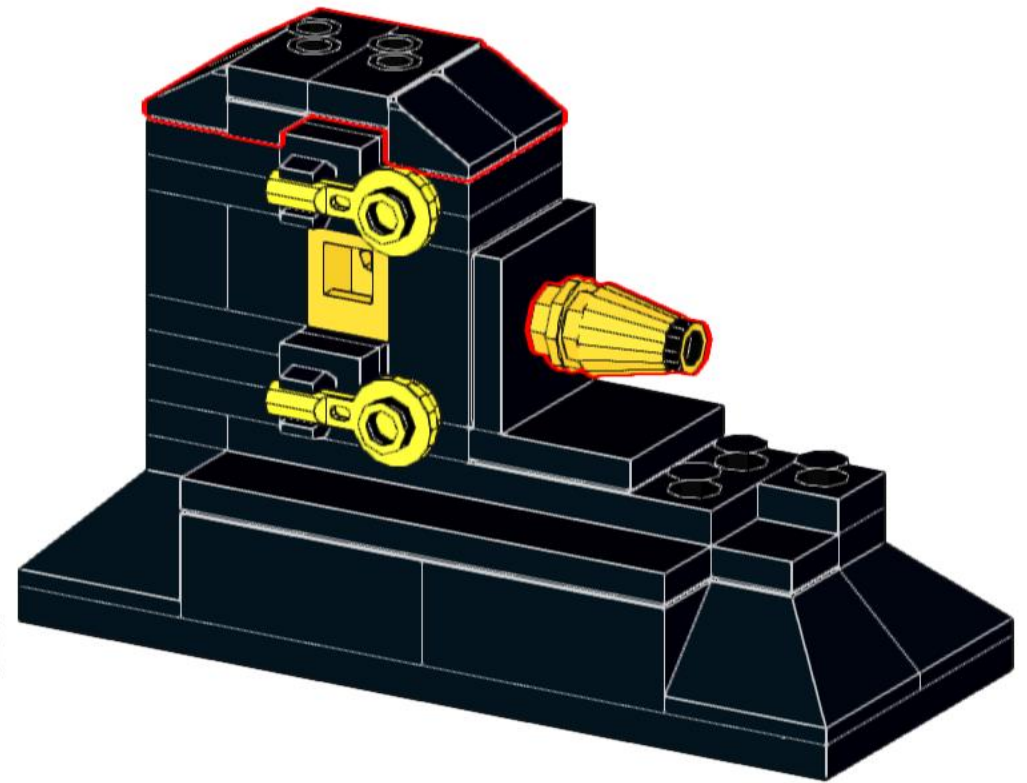
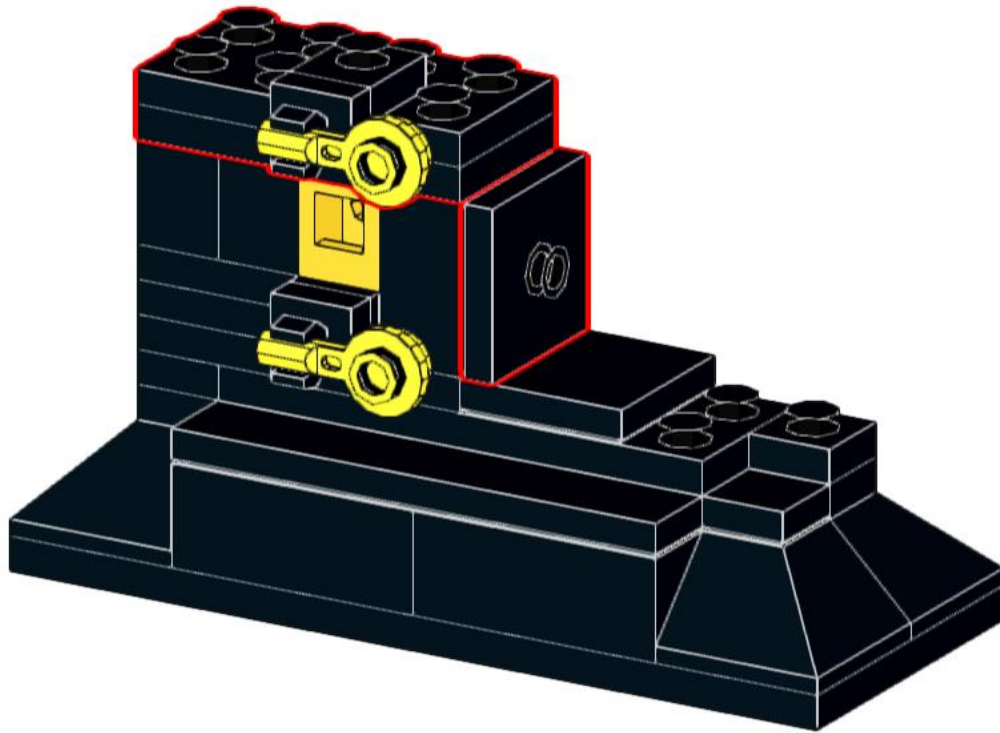
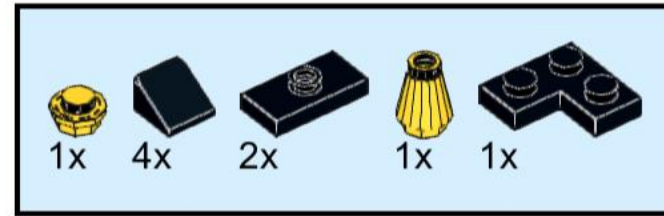
7



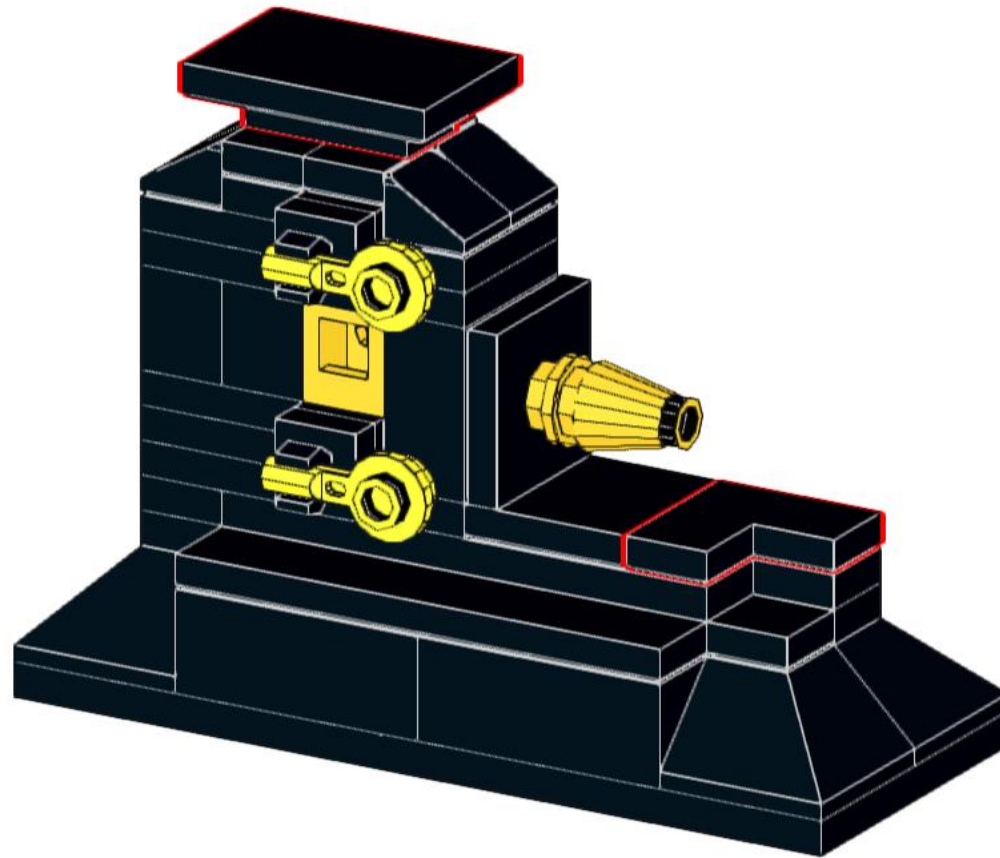
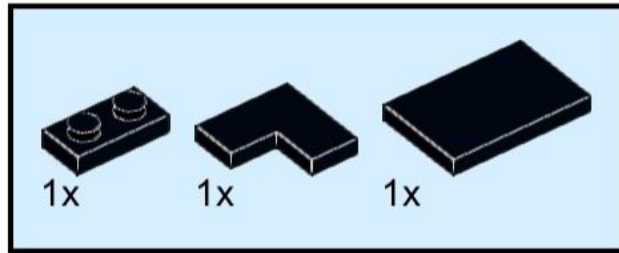
8



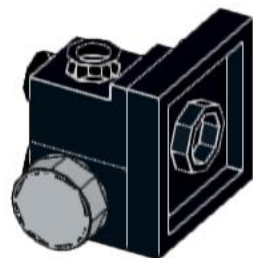
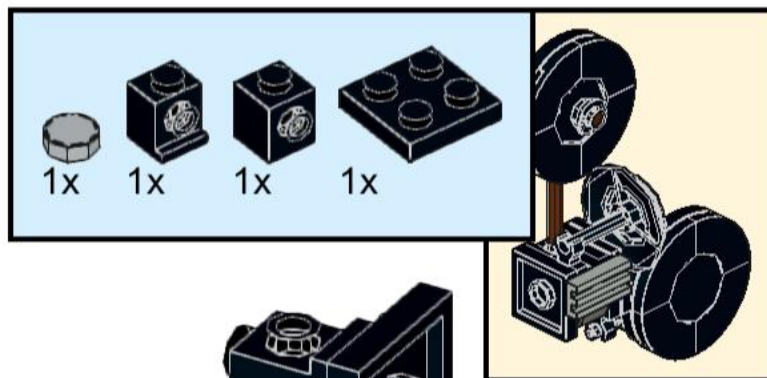
9



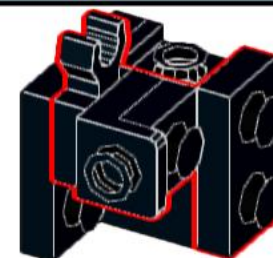
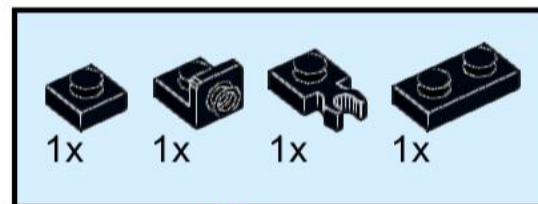
10



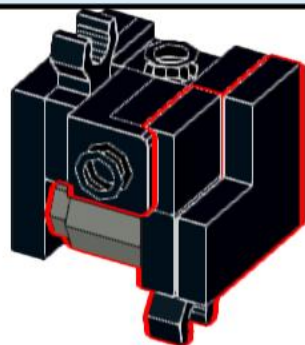
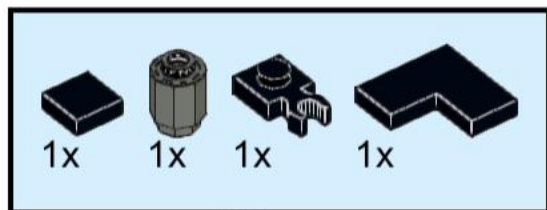
11



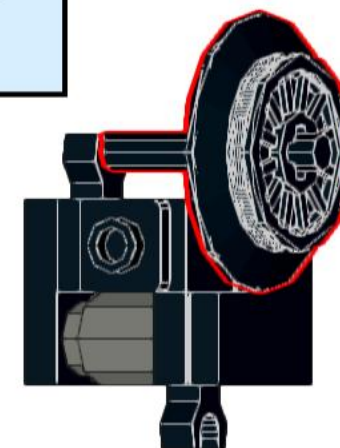
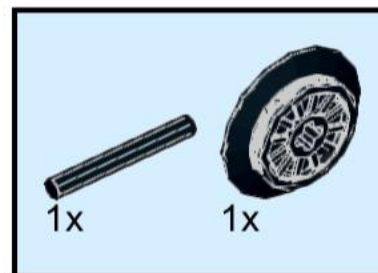
12



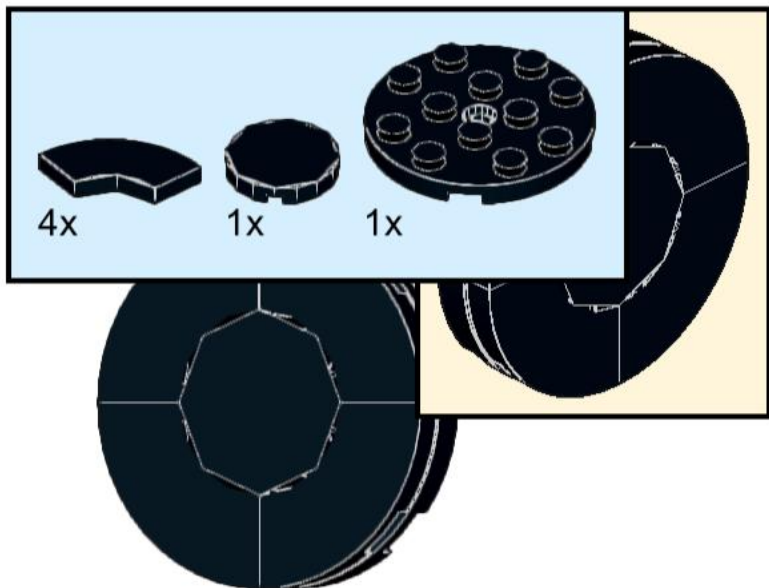
13



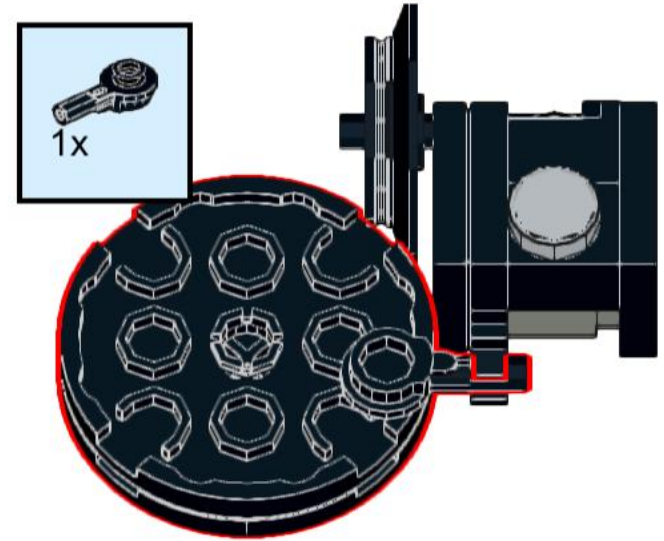
14



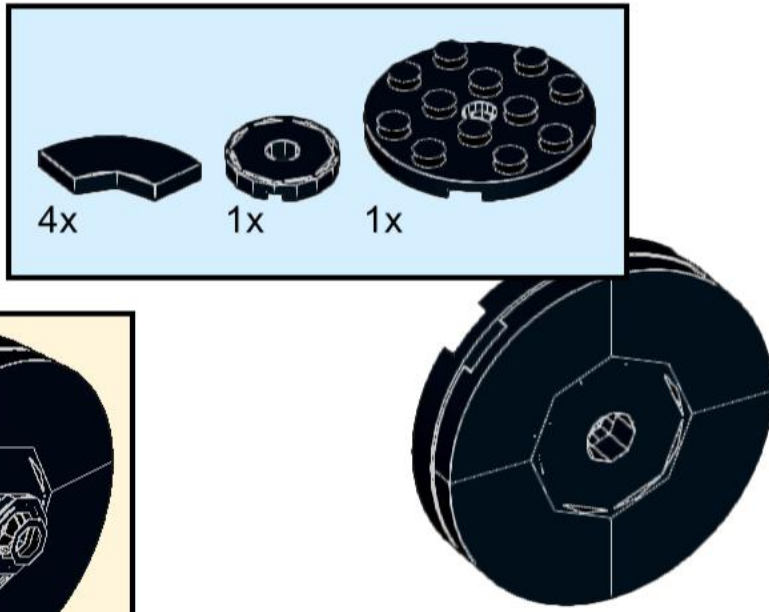
15



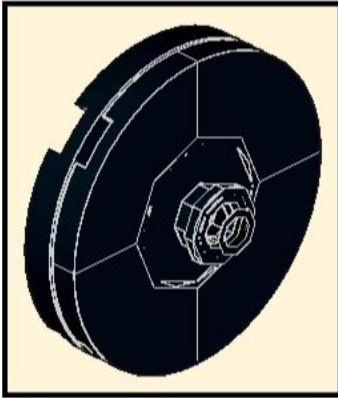
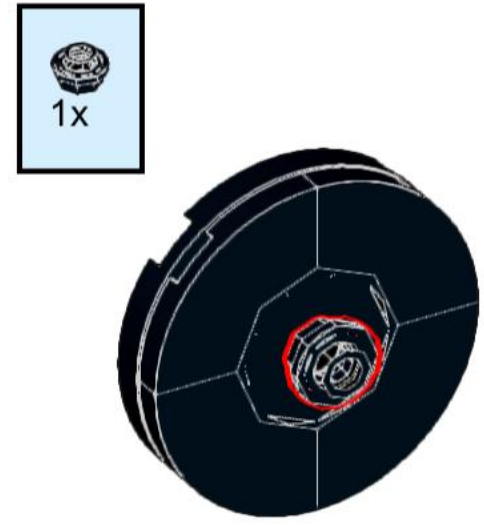
16



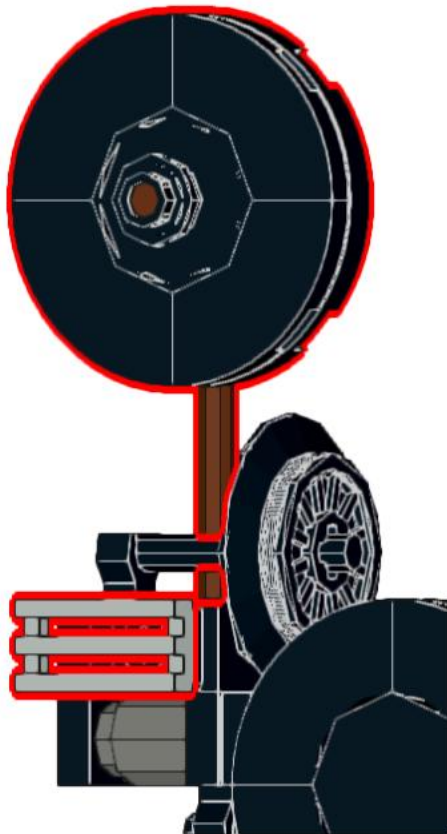
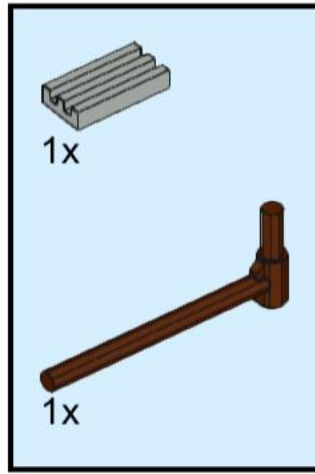
17



18



19



20

